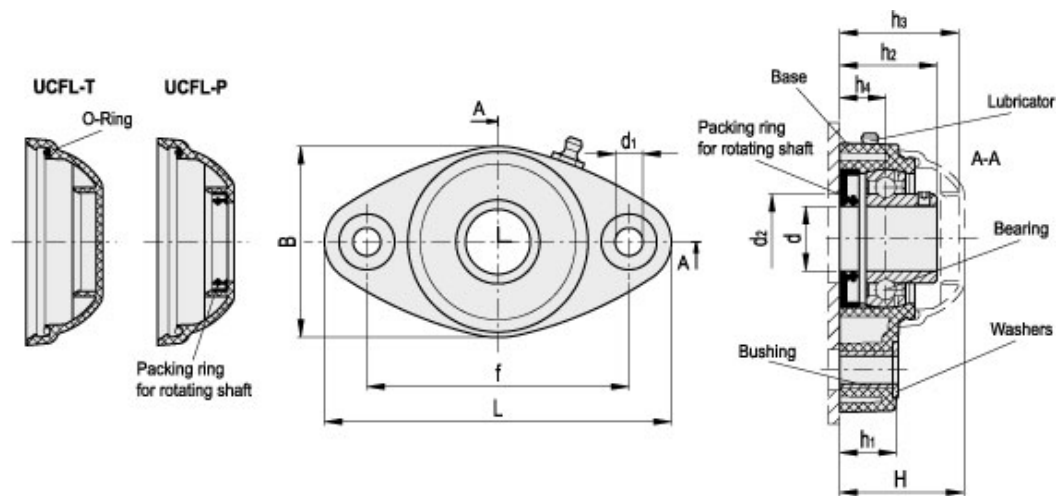


UCFL



Oval flanged self-aligning brackets



technical informations

Base

Glass-fibre reinforced polyamide based (PA) technopolymer, black colour, matte finish.

Bushings and washers

AISI 304 stainless steel.

Bearing

High quality with traceability codes. Chrome steel.

Lubricator

Nickel-plated brass.

Packing rings

NBR rubber.

Cap

Glass-fibre reinforced polypropylene based (PP) technopolymer, RAL 7015 grey colour, matte finish.
Closed cap for head bracket or for pass-through shafts.

Standard executions

- UCFL-T: head bracket with closed cap.
- UCFL-P: bracket for pass-through shaft with cap and NBR rubber packing ring for rotating shafts.

Features and applications

Overall dimensions are in compliance with ISO 3228.
A system of completely sealed packing rings assures the protection of the bearing from outdoor environment.
Max shaft misalignment = 2,5°.

Instructions of use

Assembly with shafts without end stops. For optimum operation, we recommend periodic lubrication with a common grease resistant to high temperatures and oxidation.

Special executions on request

- AISI 440C stainless steel bearing.
- Bearing in inch sizes.
- Brackets for shafts with diameters in different sizes.
- Brackets in antibacterial material or in polypropylene based (PP) technopolymer, packing rings and oil seal type VITON®*.

* Registered trademark by DuPont Dow Elastomers.

Standard Elements		Main dimensions												Bearing static load	Bearing dynamic load	Bracket load	Weight
Code	Description	d	d ₁	d ₂ min	d ₂ max	H	L	B	f	h ₁	h ₂	h ₃	h ₄	[N]	[N]	[N]	g
419552	UCFL.205-B-25-T	25	10.5	45	50	49	131	72	99	22	36	47	17	7000	14000	10000	294
419562	UCFL.206-B-30-T	30	10.5	50	60	56	149	86	117	26	41	54	20	11000	19000	13000	397
419532	UCFL.205-B-25-P	25	10.5	45	50	49	131	72	99	22	36	-	17	7000	14000	10000	300
419542	UCFL.206-B-30-P	30	10.5	50	60	56	149	86	117	26	41	-	20	11000	19000	13000	404



ELESA and GANTER models all rights reserved in accordance with the law. Always mention the source when reproducing our drawings.

STANDARD MACHINE ELEMENTS WORLDWIDE